



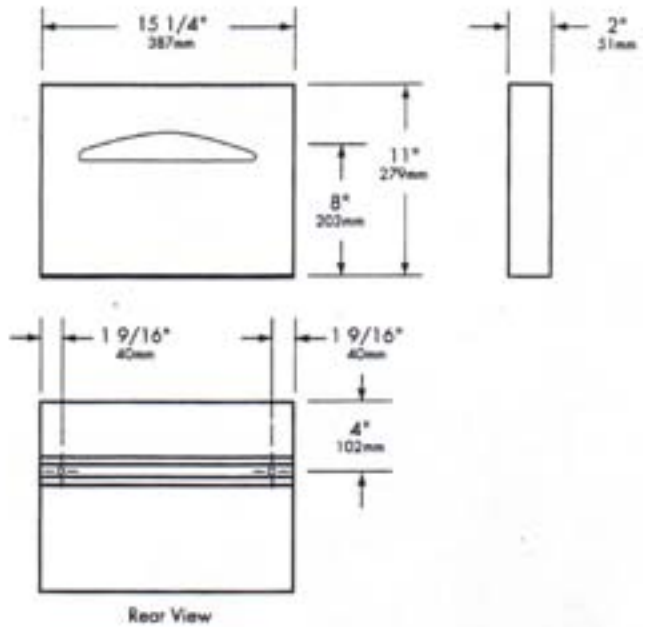
Stainless Steel Fixtures

These stainless steel fixtures provide durable long lasting solutions to high use restroom problems and give years of trouble-free service.

Seat Cover Dispenser



TSCD



Stainless Steel Containers
Seat Cover Dispenser

SIZE STOCK#
11" x 16" x 2 1/2" TSCD

Construction:

Unit fabricated of 22 gauge (.8mm) 18-8 type 304 stainless steel with exposed surfaces #4 satin finished. Fills from the bottom through concealed opening. All welded construction.

Capacity:

500 paper toilet seat covers

Overall Dimensions:

15-3/4" (400mm)W x 11" (279mm)H x 2" (51mm)D

