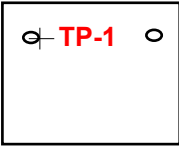
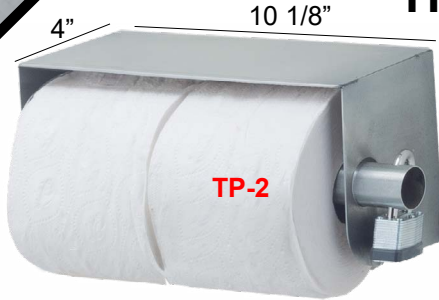


# Stainless Steel Paper Dispenser Systems

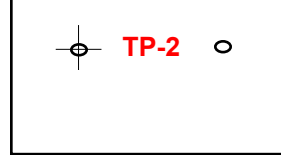
1" Slot 1 1/2" down 3" centers



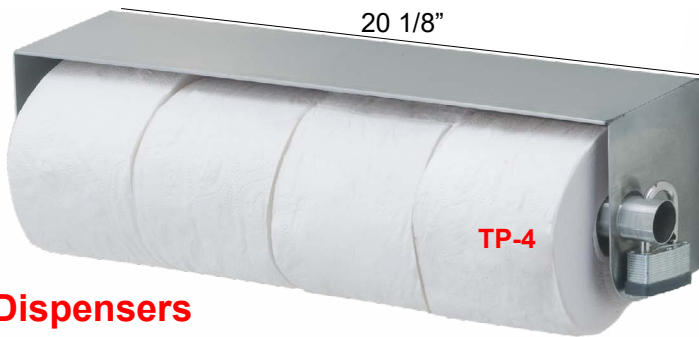
## TP series



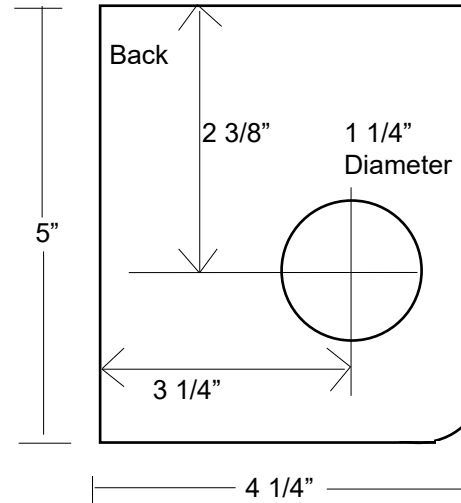
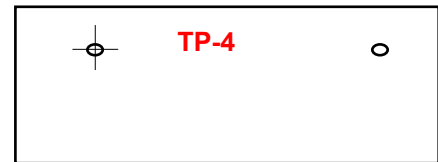
1" slot 1 1/2" down 5" centers



1" slot 1 1/2" down 9 3/4" centers



1" slot 1 1/2" down 14" centers



### Toilet Paper Dispensers

LENGTH	STOCK #
1 Roll 5 1/8"	TP-1
2 Roll 10 1/8"	TP-2
3 Roll 15 1/8"	TP-3
4 Roll 20 1/8"	TP-4
Replacement Tube	TP-TUBE
Master Lock® #510 (keyed alike)	TP464-LOCK
Snap Ring	TP-CLIP



Stock #TPTUBE  
1 1/8" OD stainless steel tube with flared end. 21/64" hole for TP464-Lock or TP-Clip

Durable, sturdy, 18 gauge, type 304 stainless steel frame, 20 gauge, 1 1/8" diameter stainless steel tube fits all rolls.

Locks are keyed alike. Anti theft design.

Lock and Clips sold separately



Stock #TP-CLIP



Stock #TP464-LOCK (keyed alike) Master Locks®