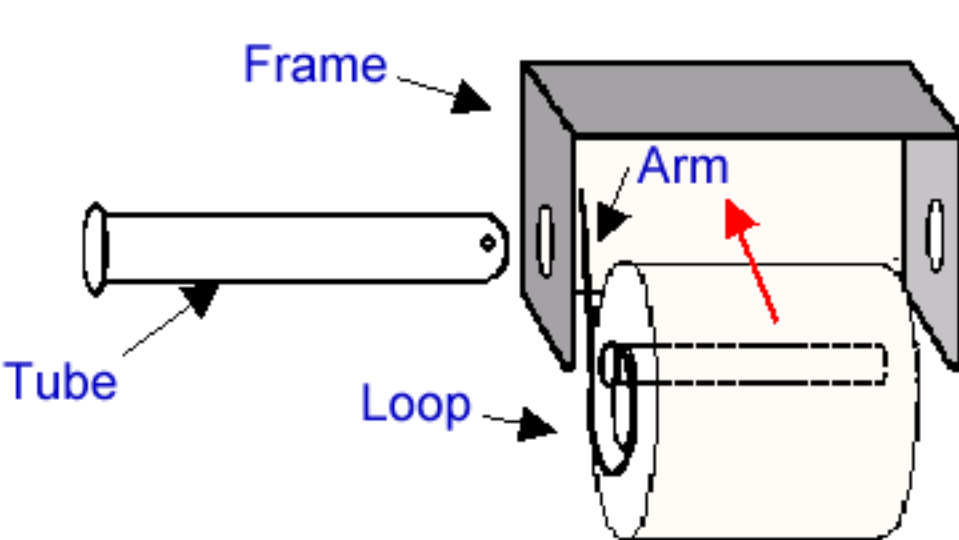
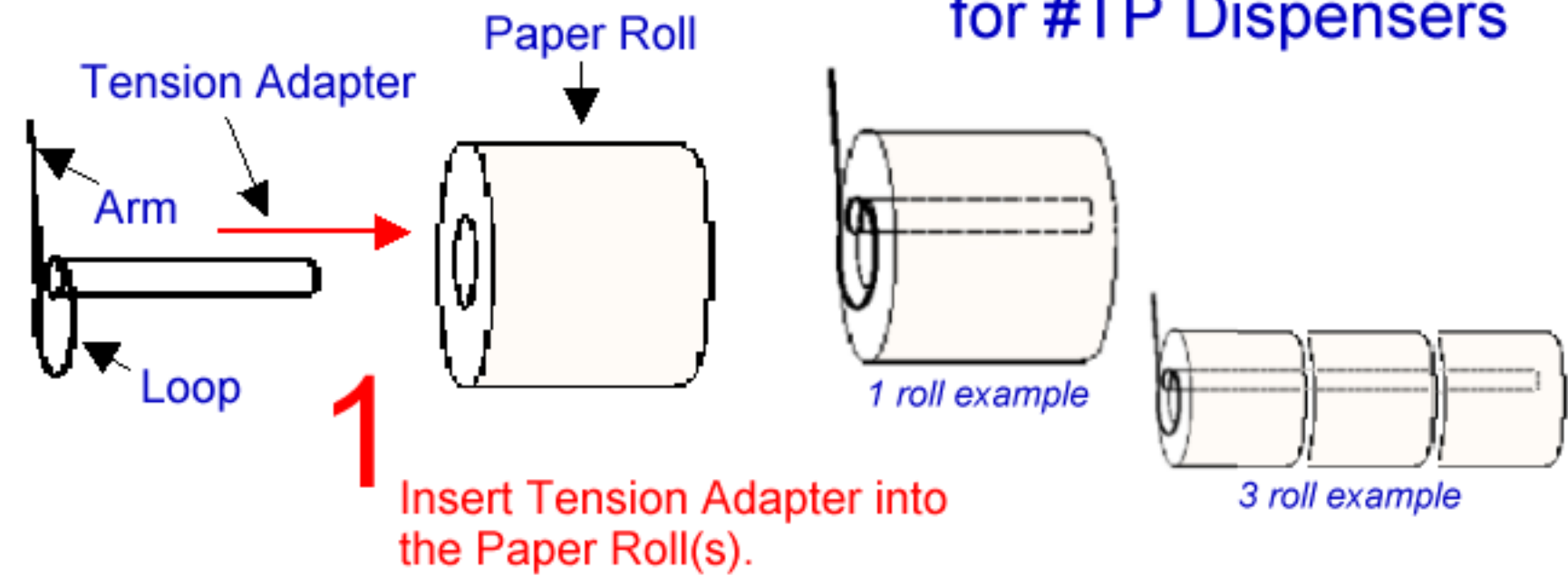
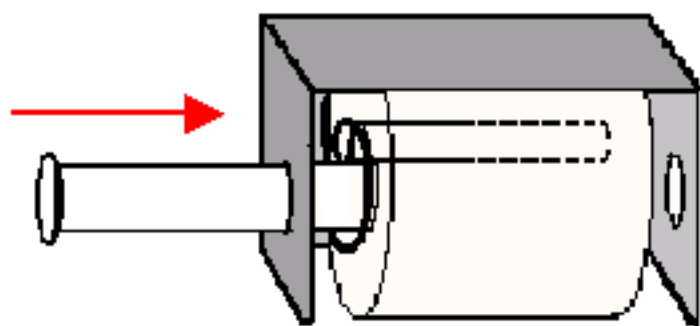


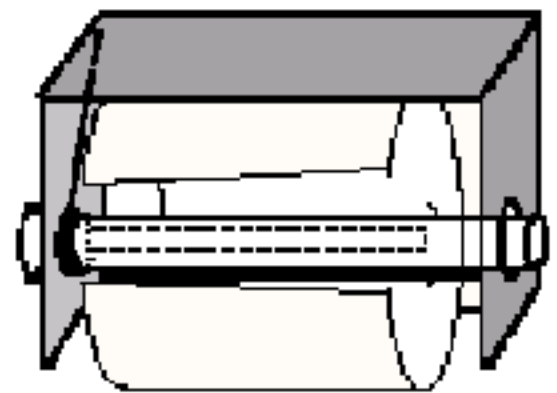
Tension Adapter Installation for #TP Dispensers



2 Push Paper Roll with Tension Adapter into Dispenser Frame. Be sure that Adapter Arm is trapped in Frame corner.



3 Push Tube through Frame opening and through the Loop of Tension Adapter.



4 Installation is complete. Simply attach #TP-LOCK or our #TP-CLIP.