

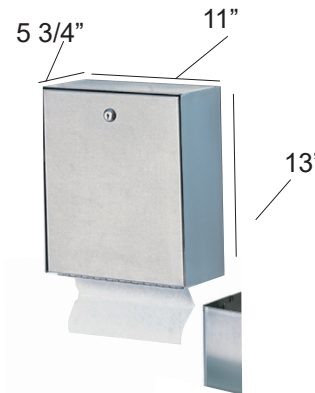
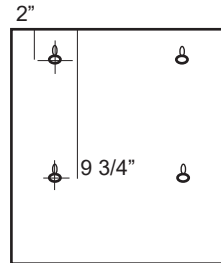
**Royce
Rolls
Ringer
Company**



Stainless Steel Paper Towel Systems

16" x 48" Fixture Panel Dimensions
16" panel

1" keyhole mounts 8" centers

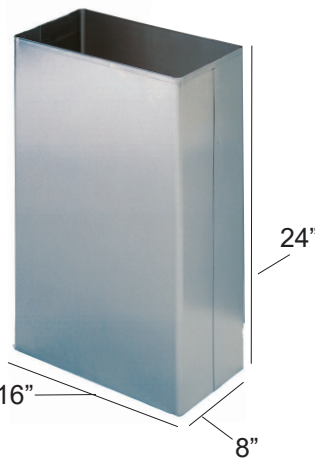
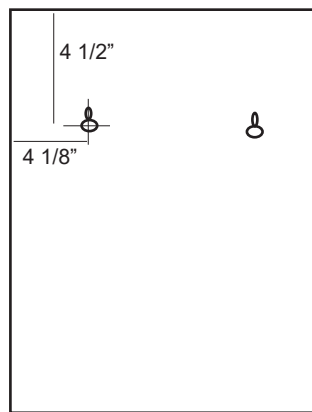


1" from top

13" dispenser

8" space between fixtures

1" slot 4 1/2" down 4 1/8" centers

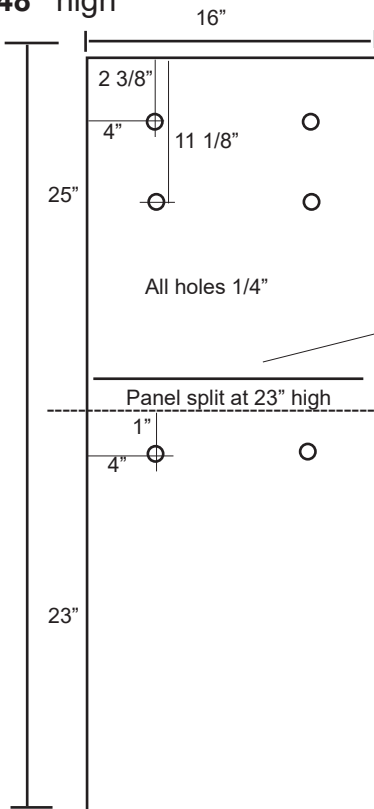


24" Bin

2" from bottom

S SYSTEM Installation Instructions

48" high



Folded Towel Dispenser

4 short flat head bolts entered from behind panel

Lock washer & nut

2 piece panel split at 23" high trash bin covers seam.

Lock washer & nut mounted from inside bin, tight for permanent mounting, loose for removable.

Flat head bolts entered from behind panel

Spacer lock washer & nut to create gap for bin liner.

Trash Bin

Wall Panel

Mounting Instructions

1. 4 flat head bolts entered from **behind** panels **before** hanging on wall.
2. Screw **lock washer & nuts** to bolts for **bin** firmly to bottom panel **before** hanging panel on wall.
3. Mount **paper towel dispenser** to top panel with 2 **flat head bolts** and **lock washers & nuts** tightly **before** hanging panel.
4. Hang panels to wall with adhesive or with additional holes in panel (drill bits are available from Royce Rolls at no charge). **Do not use fixture holes to mount panel to wall.**
5. **Bin** is designed to be removable for cleaning. Screw 2 additional **lock washers & nuts** loosely to bin panel bolts. Hang bin on keyhole mounts. Tighten bolts firmly for permanent mounting.



ROYCE ROLLS RINGER COMPANY Grand Rapids, Michigan
Since 1925 ALL STAINLESS STEEL PRODUCTS GUARANTEED 10 YEARS
TOLL FREE 1-800-253-9638 FAX 616-361-5976 www.RoyceRolls.net

