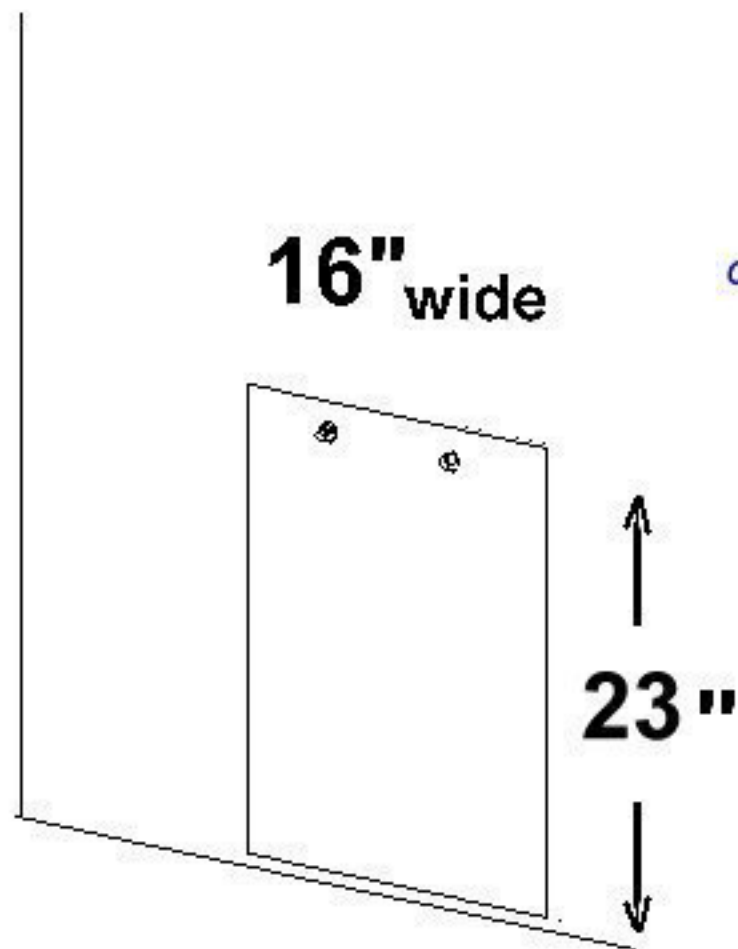


# #S-SYSTEM Installation

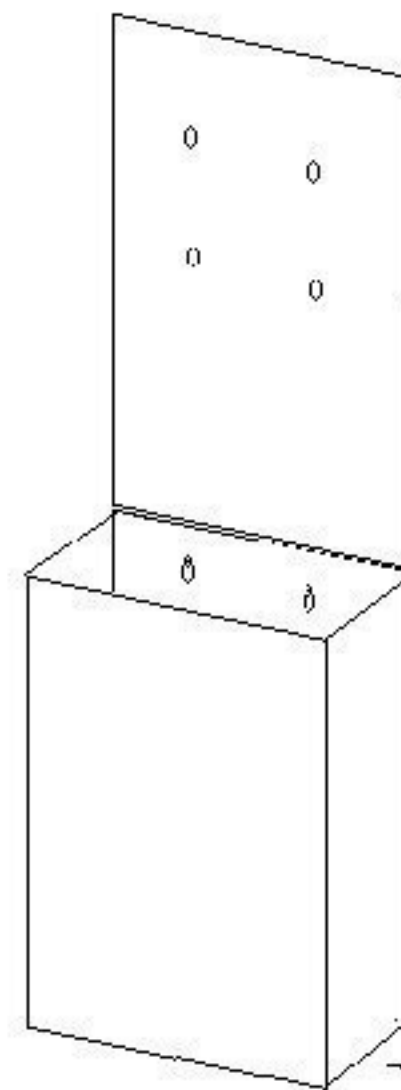
## Step 3



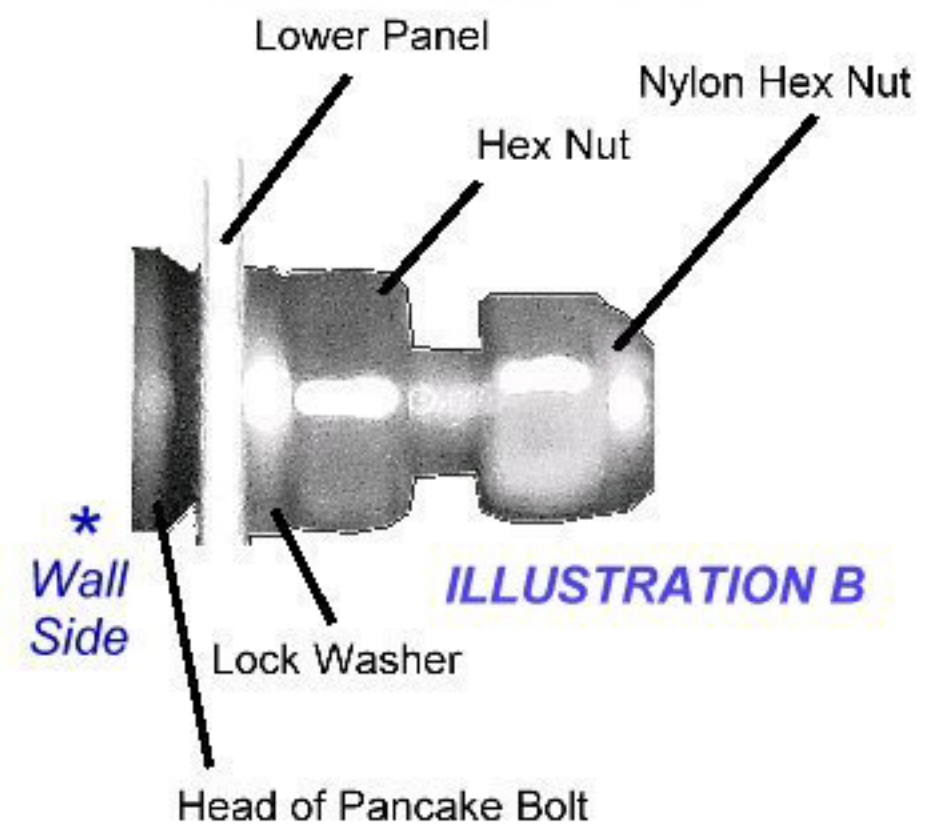
\* For flush setup it is necessary to chisel wall where pancake bolts make contact.

## Step 1

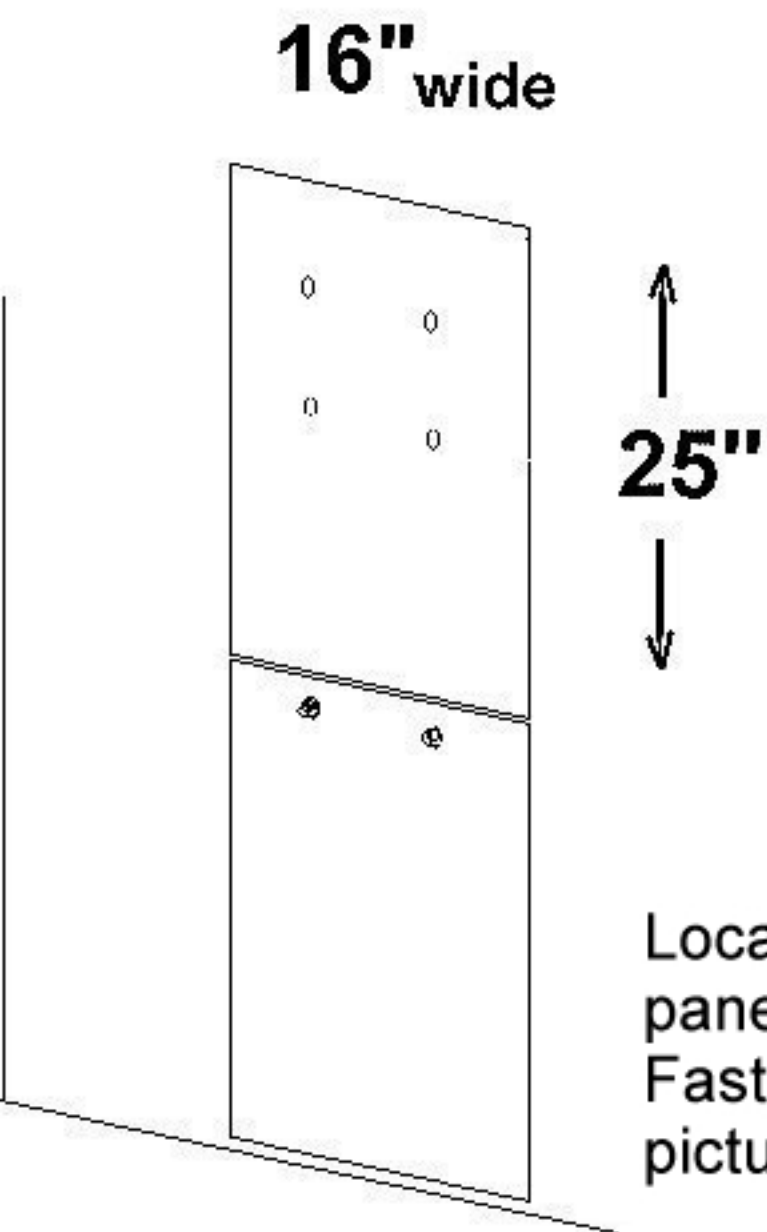
Locate the lower panel which has 2 holes near the top of the panel. Attach fasteners as pictured in illustration B. Mount panel flush to wall using anchors fasteners or adhesive.



### Fastener Assemblies

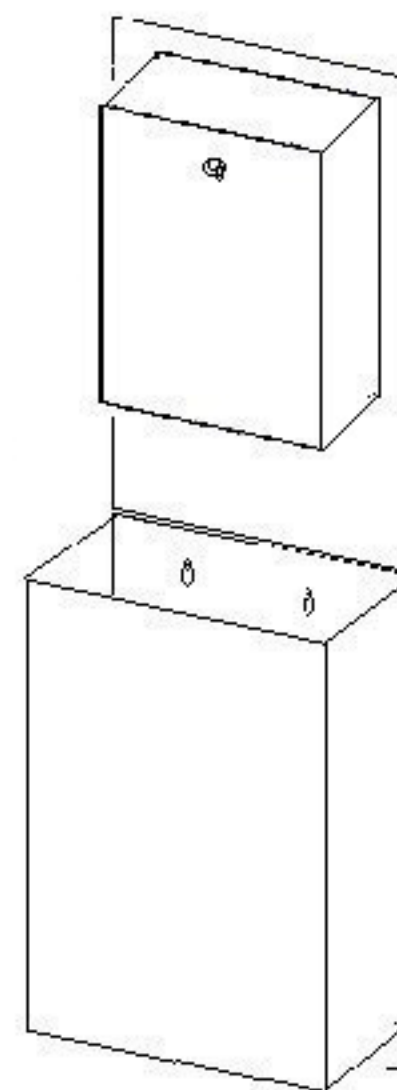


## Step 4



## Step 2

Locate the upper panel. This panel has a 4 hole template. Fasten securely to the wall as pictured, using adhesive.



Locate towel dispenser. Align and fasten through the top panel using anchors or screws.