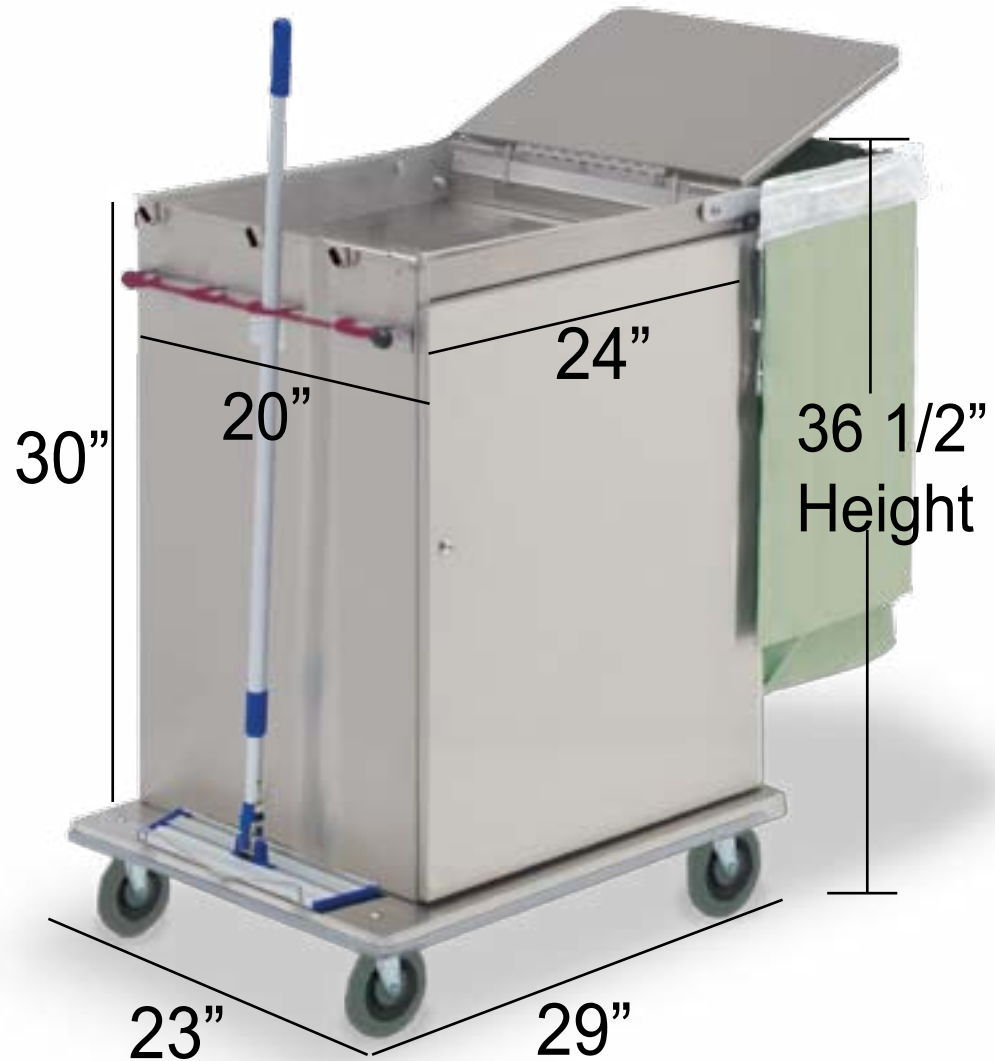


MP2430 Stainless Steel Housekeeping Cart

**Royce
Rolls
Ringer
Company**



CART DIMENSIONS

- Cabinet is 24" x 20" x 30"
- Base is 23" x 29"
- Handle extended 23" x 41"



ROYCE ROLLS RINGER COMPANY Grand Rapids, Michigan
Since 1925 ALL STAINLESS STEEL PRODUCTS GUARANTEED 10 YEARS
TOLL FREE 1-800-253-9638 FAX 616-361-5976 www.RoyceRolls.net

