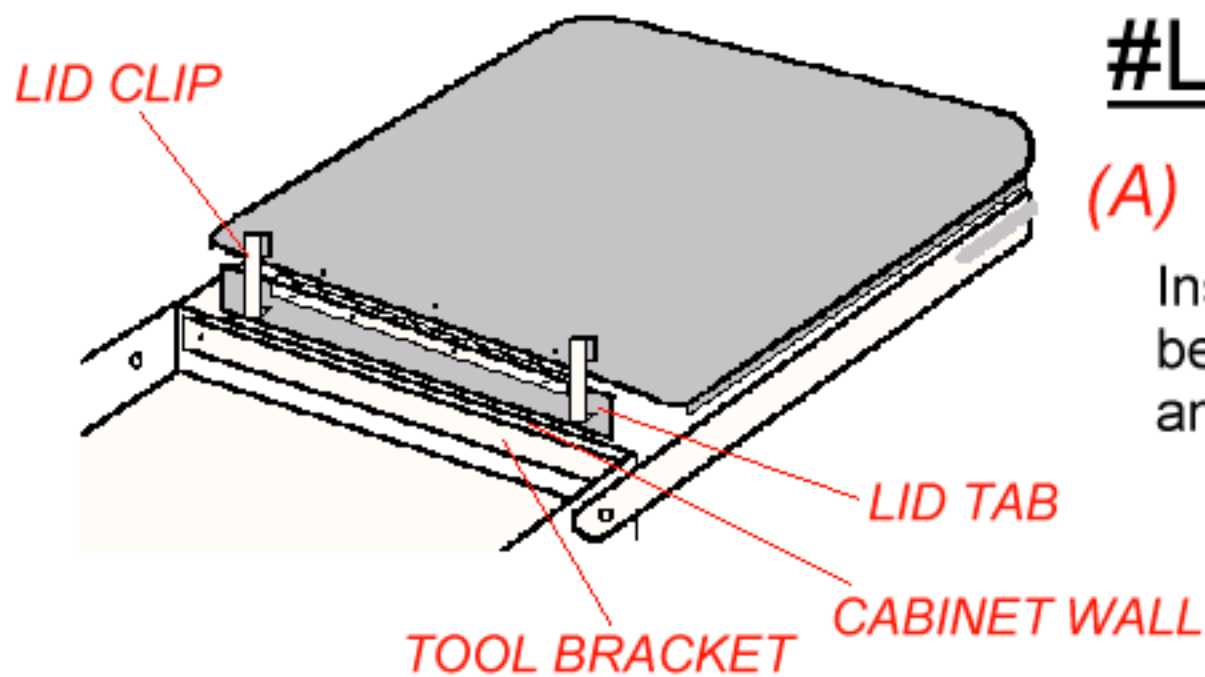


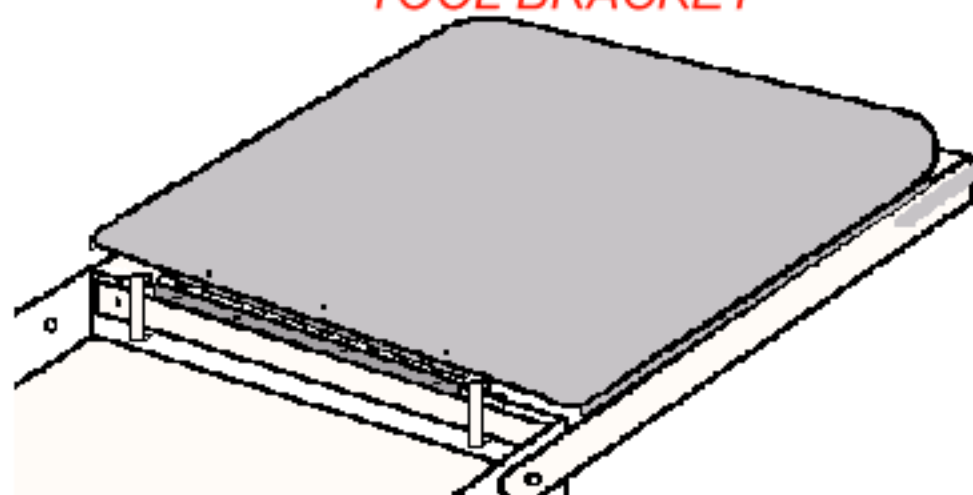
#LID and #DOOR Installation



#LID

(A)

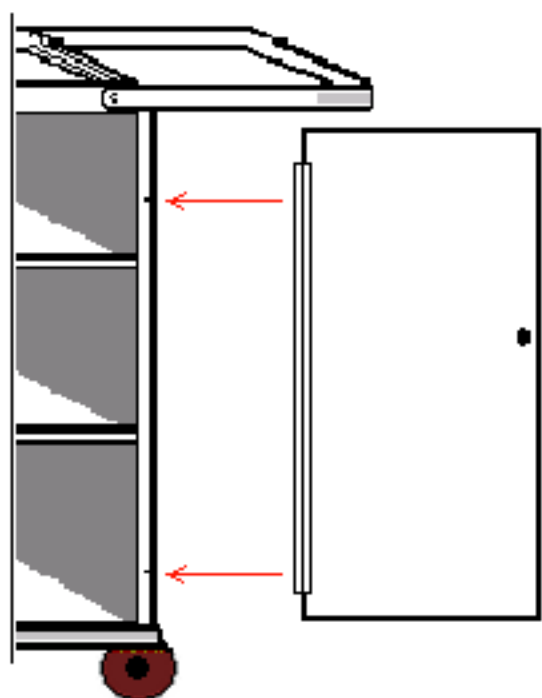
Insert LID TAB into the seam between the TOOL BRACKET and the CABINET WALL.



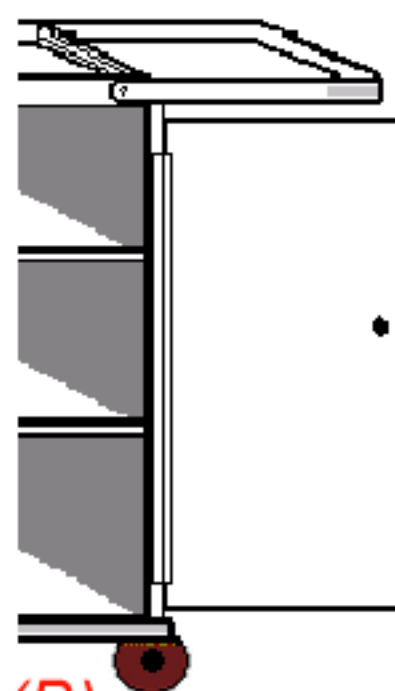
(B)

Snap one LID CLIP on each side of hinge or tap with hammer.

#DOOR



(A) Lay Cart on its Side. Drill out 2 pre-marked holes and fasten door with 2 rivets.



(B) Drill the remaining holes and fasten with remaining rivets. Simply install lock.